

professional sample kit for development and research

## CC0805 Sample Kit

-  Kondensatorsortiment  
Capacitor Designer Kit
-  Baugröße: 0805  
Component size: 0805
-  RoHS konform  
RoHS Compliance



Sortiment / sample kit

### Wesentliche Merkmale

- ◆ Bauteilgröße 0805
- ◆ Großer Wertebereich 7 Dekaden
- ◆ IEC Reihe E6
- ◆ Bauteilzahl pro Wert 50 / 100 Stk. ✓
- ◆ RoHS konform ✓
- ◆ Praktisches Ordner Sortimentsystem

### Features

- ◆ Component size 0805
- ◆ Wide range of values 7 decades
- ◆ International standard IEC E6
- ◆ number of components / value 50 / 100 pieces ✓
- ◆ RoHS Compliance ✓
- ◆ convenient folder - sample kit system

### Anwendungen

- ◆ Entwicklung
- ◆ Forschung
- ◆ Labor

### Applications

- ◆ Development
- ◆ Research
- ◆ Labor

Please be aware that an important notice concerning availability, standard warranty, and use in applications of AGL Technology GmbH products and disclaimers thereto appears at the end of this data sheet.

Products and company names listed are trademarks or trade names of their respective companies.

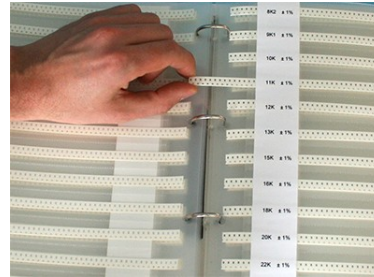
Copyright © 2007 AGL Technology GmbH

[www.sample-kits.com](http://www.sample-kits.com)

## Foliensystem und Baueilentnahme. Foil - system and how to take out the components.



Foliensystem / foil - system



in Benutzung / in use

## Eigenschaften des Sortiments Characteristics of the sample kit

Bezeichnung Parameter	Wert Value	Einheit Unit
Bauteilgröße Component size	0805	
Bauteiltoleranz Tolerance of the Components	Siehe Tabelle: „Sortiment Inhalt“ See table: „Sample Kit Content“	
Wertebereich Range of values	0,47pF - 1µF	
IEC-Reihe IEC standart	E-6	
Anzahl der Werte Number of values	39	
Bauteile pro Wert Number of parts per value	50 / 100	Stück pieces
Bauteile gesamt Number of parts in total	1950 / 3900	Stück pieces
RoHS konform RoHS Compliance	✓	
Sortimentsystem Sample kit system	A4 Ringordner A4 ring binder	
Abmessungen (L x B x H): Dimensions (l x w x h)	ca. / approx. 260 x 45 x 318	mm
Gewicht Weight	0,7 / 0,9	kg
Seitenanzahl Einschubfolie Number of foil pages	3 / 6	Stück pieces

# CC0805 Sample Kit



PRELIMINARY March 2008

## Sortiment Inhalt Sample Kit Content

Nr.	Wert	Dielektrikum	Spannungs- festigkeit	Toleranz	Herstellernummer (7 Zoll Bauteilrolle)
Nbr.	Value	Dielectric- material	Rated voltage	Tolerance	Ordering Code (7 inch dia. Reel)
1	0,47pF	NPO	50 Vdc	±0,25pF	CC0805CRNPO9BNR47
2	0,68pF	NPO	50 Vdc	±0,25pF	CC0805CRNPO9BNR68
3	1pF	NPO	50 Vdc	±0,25pF	CC0805CRNPO9BN1R0
4	1,5pF	NPO	50 Vdc	±0,25pF	CC0805CRNPO9BN1R5
5	2,2pF	NPO	50 Vdc	±0,25pF	CC0805CRNPO9BN2R2
6	3,3pF	NPO	50 Vdc	±0,25pF	CC0805CRNPO9BN3R3
7	4,7pF	NPO	50 Vdc	±0,25pF	CC0805CRNPO9BN4R7
8	6,8pF	NPO	50 Vdc	±0,5pF	CC0805DRNPO9BN6R8
9	10pF	NPO	50 Vdc	±5%	CC0805JRNPO9BN100
10	15pF	NPO	50 Vdc	±5%	CC0805JRNPO9BN150
11	22pF	NPO	50 Vdc	±5%	CC0805JRNPO9BN220
12	33pF	NPO	50 Vdc	±5%	CC0805JRNPO9BN330
13	47pF	NPO	50 Vdc	±5%	CC0805JRNPO9BN470
14	68pF	NPO	50 Vdc	±5%	CC0805JRNPO9BN680
15	100pF	NPO	50 Vdc	±5%	CC0805JRNPO9BN101
16	150pF	NPO	50 Vdc	±5%	CC0805JRNPO9BN151
17	220pF	NPO	50 Vdc	±5%	CC0805JRNPO9BN221
18	330pF	NPO	50 Vdc	±5%	CC0805JRNPO9BN331
19	470pF	NPO	50 Vdc	±5%	CC0805JRNPO9BN471
20	680pF	NPO	50 Vdc	±5%	CC0805JRNPO9BN681
21	1nF	NPO	50 Vdc	±5%	CC0805JRNPO9BN102
22	1,5nF	X7R	50 Vdc	±10%	CC0805KRX7R9BB152
23	2,2nF	X7R	50 Vdc	±10%	CC0805KRX7R9BB222
24	3,3nF	X7R	50 Vdc	±10%	CC0805KRX7R9BB332
25	4,7nF	X7R	50 Vdc	±10%	CC0805KRX7R9BB472
26	6,8nF	X7R	50 Vdc	±10%	CC0805KRX7R9BB682
27	10nF	X7R	50 Vdc	±10%	CC0805KRX7R9BB103
28	15nF	X7R	50 Vdc	±10%	CC0805KRX7R9BB153
29	22nF	X7R	50 Vdc	±10%	CC0805KRX7R9BB223
30	33nF	X7R	50 Vdc	±10%	CC0805KRX7R9BB333
31	47nF	X7R	50 Vdc	±10%	CC0805KRX7R9BB473
32	68nF	X7R	50 Vdc	±10%	CC0805KRX7R9BB683
33	100nF	X7R	50 Vdc	±10%	CC0805KRX7R9BB104
34	150nF	X7R	16 Vdc	±10%	CC0805KRX7R7BB154
35	220nF	X7R	16 Vdc	±10%	CC0805KRX7R7BB224

# CC0805 Sample Kit



PRELIMINARY March 2008

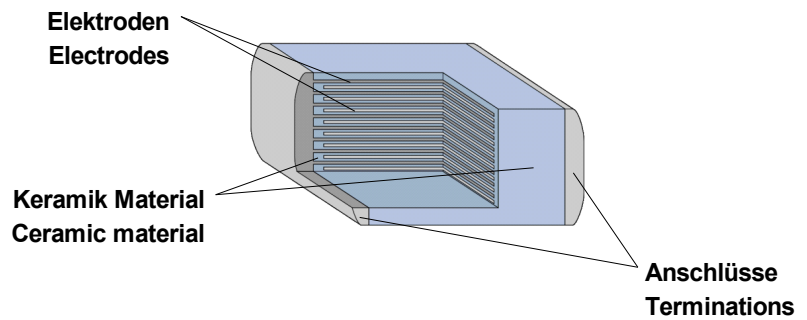
---

36	330nF	Y5V	25 Vdc	-20/+80%	CC0805ZRY5V8BB334
37	470nF	Y5V	25 Vdc	-20/+80%	CC0805ZKY5V8BB474
38	680nF	Y5V	16 Vdc	-20/+80%	CC0805ZRY5V7BB684
39	1 $\mu$ F	Y5V	16 Vdc	-20/+80%	CC0805ZRY5V7BB105

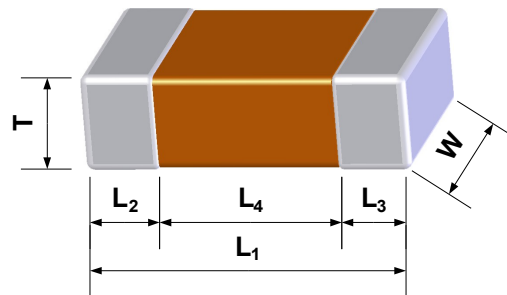
## Bauteile technische Daten<sup>1</sup> Components technical specifications<sup>1</sup>



Bezeichnung Parameter	Wert Value	Einheit Unit
Bauteilgröße Component size	0805	
Hersteller Manufacturer	YAGEO	
Bauteilserie Component series	CC0805	
Bauteiltoleranz Tolerance of the components	Siehe Tabelle: „Sortiment Inhalt“ See table: „Sample Kit Content“	



Bezeichnung Type	CC0805	Einheit Unit
L <sub>1</sub>	2,00 ±0,10	mm
W	1,25 ±0,10	mm
T	min. 0,50	mm
	max. 1,35	mm
L <sub>2</sub> / L <sub>3</sub>	min. 0,25	mm
	max. 0,75	mm
L <sub>4</sub>	min. 0,55	mm



Keramik Chip Kondensator Aufbau und Dimensionen (Quelle: Datenblatt YAGEO)  
Ceramic Chip Capacitor construction and dimension (source: datasheet YAGEO)

Für weitere Informationen über die Bauteile wir auf das Datenblatt oder die Webseite des Herstellers verwiesen.  
For more informations regarding the component please see manufacturer's datasheet and/or website.

<sup>1</sup> Bitte Hinweise am Ende des Dokuments beachten.  
Important notices at the end of this datasheet.

**Published by**  
**AGL Technology GmbH**  
**55270 Jugenheim**  
**Germany**  
[www.sample-kits.com](http://www.sample-kits.com)

The information given in this document shall in no event be regarded as a guarantee of conditions or characteristics. With respect to any hints given herein, any values and/or information regarding the components. AGL Technology hereby disclaims any and all warranties and liabilities of any kind, including without limitation warranties of non infringement of intellectual property rights of any third party.

#### Warnings

The given information about the components are based on datasheets of the manufacturer. For further information the AGL Technology refers to the website and the datasheets of the components manufacturer. The intended use of this sample kit is for development and research. The sample kit or parts of it should not be used for any other purpose.

#### Notice

Products and company names listed are trademarks or trade names of their respective companies.