

professional sample kit for development and research

TDK SLF6028 Sample Kit

Leistungs- Induktivitäten Sortiment
Power Inductor Designer Kit

RoHS konform
RoHS Compliance



Sortiment / sample kit

Wesentliche Merkmale

- ◆ Bauteilgröße
- ◆ Bauteilzahl pro Wert
- ◆ RoHS konform
- ◆ transparente PET Flachpackung

SLF6028
10
✓

Features

- ◆ Component size
- ◆ number of components / value
- ◆ RoHS Compliance
- ◆ transparent PET container

SLF6028
10
✓

Anwendungen

- ◆ Entwicklung
- ◆ Forschung
- ◆ Labor

Applications

- ◆ Development
- ◆ Research
- ◆ Labor

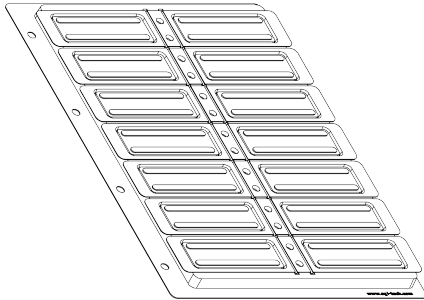
Please be aware that an important notice concerning availability, standard warranty, and use in applications of AGL Technology GmbH products and disclaimers thereto appears at the end of this data sheet.

Products and company names listed are trademarks or trade names of their respective companies.

Copyright © 2008 AGL Technology GmbH

www.sample-kits.com

Flachpackungs-System und Baueilnahme. Container - system and how to take out the components.



Flachpackungs-System / container -
system



Entnahme / taking out

Eigenschaften des Sortiments Characteristics of the sample kit

Bezeichnung Parameter	Wert Value	Einheit Unit
Bauteilgröße Component size	SLF6028 6 x 6 x 2.8	mm
Bauteiltoleranz Tolerance of the Components	Siehe Tabelle: „Sortiment Inhalt“ see table: „Sample Kit Content“	
Wertebereich Range of values	4.7 - 100	µH
Anzahl der Werte Number of values	9	
Bauteile pro Wert Number of parts per value	10	Stück pieces
Bauteile gesamt Number of parts in total	90	Stück pieces
RoHS konform RoHS Compliance	✓	
Abmessungen (L x B x H): Dimensions (l x w x h)	ca. / approx. 230 x 350 x 7	mm
Gewicht Weight	0,1	kg

Sortiment Inhalt Sample Kit Content

Nr.	Wert	Baugröße	Strombelastbarkeit (A)	DC-Widerstand (Ohm) $\pm 20\%$	Toleranz	TDK Teilenummer
Nbr.	Value	Dimension	Rated current (A)	DC-Resistance (Ohm) $\pm 20\%$	Tolerance	TDK Part No.
1	4.7 μ H	SLF6028	1.6max.	0.0284	$\pm 20\%$	SLF6028T-4R7M1R6-PF
2	6.8 μ H	SLF6028	1.5max.	0.0354	$\pm 20\%$	SLF6028T-6R8M1R5-PF
3	10 μ H	SLF6028	1.3max.	0.0532	$\pm 20\%$	SLF6028T-100M1R3-PF
4	15 μ H	SLF6028	1.0max.	0.0745	$\pm 20\%$	SLF6028T-150M1R0-PF
5	22 μ H	SLF6028	0.77max.	0.104	$\pm 20\%$	SLF6028T-220MR77-PF
6	33 μ H	SLF6028	0.69max.	0.148	$\pm 20\%$	SLF6028T-330MR69-PF
7	47 μ H	SLF6028	0.59max.	0.21	$\pm 20\%$	SLF6028T-470MR59-PF
8	68 μ H	SLF6028	0.5max.	0.29	$\pm 20\%$	SLF6028T-680MR50-PF
9	100 μ H	SLF6028	0.42max.	0.43	$\pm 20\%$	SLF6028T-101MR42-PF

Published by
AGL Technology GmbH
55270 Jugenheim
Germany
www.sample-kits.com

The information given in this document shall in no event be regarded as a guarantee of conditions or characteristics. With respect to any hints given herein, any values and/or information regarding the components. AGL Technology hereby disclaims any and all warranties and liabilities of any kind, including without limitation warranties of non infringement of intellectual property rights of any third party.

Warnings

The given information about the components are based on datasheets of the manufacturer. For further information the AGL Technology refers to the website an the datasheets of the components manufacturer. The intended use of this sample kit is for development and research. The sample kit or parts of it should not be used for any other purpose.

Notice

Products and company names listed are trademarks or trade names of their respective companies.